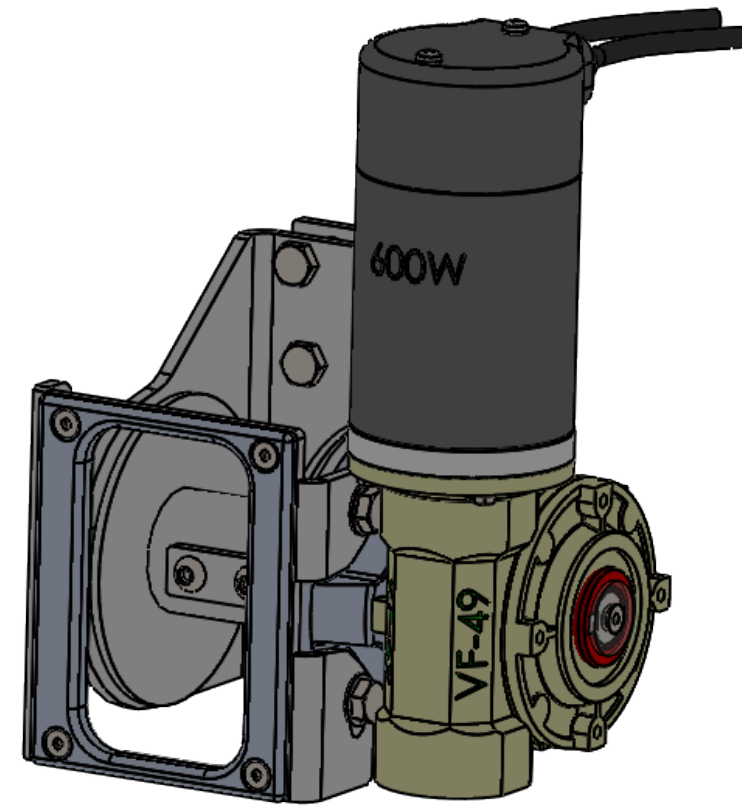
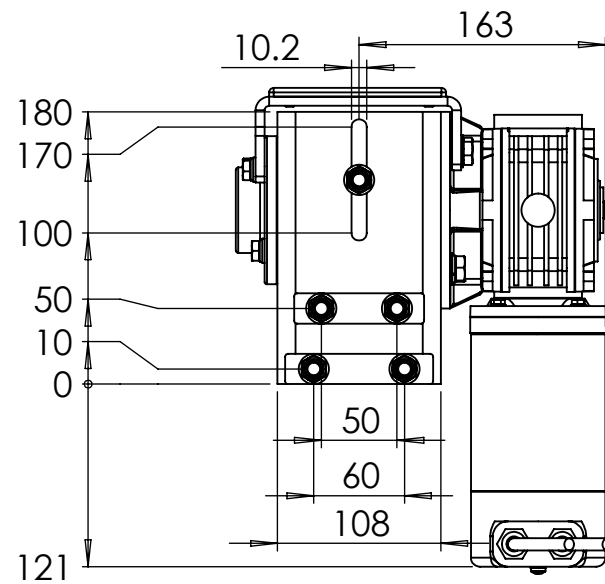
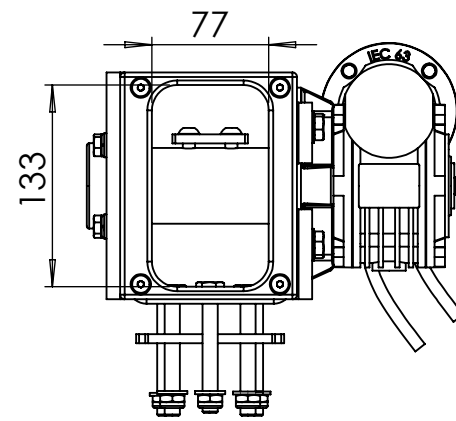
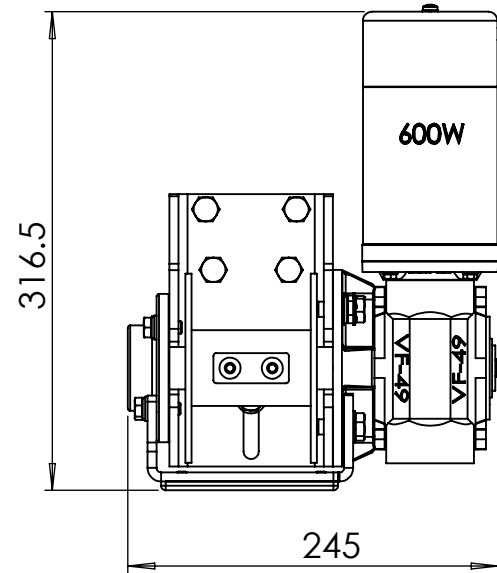
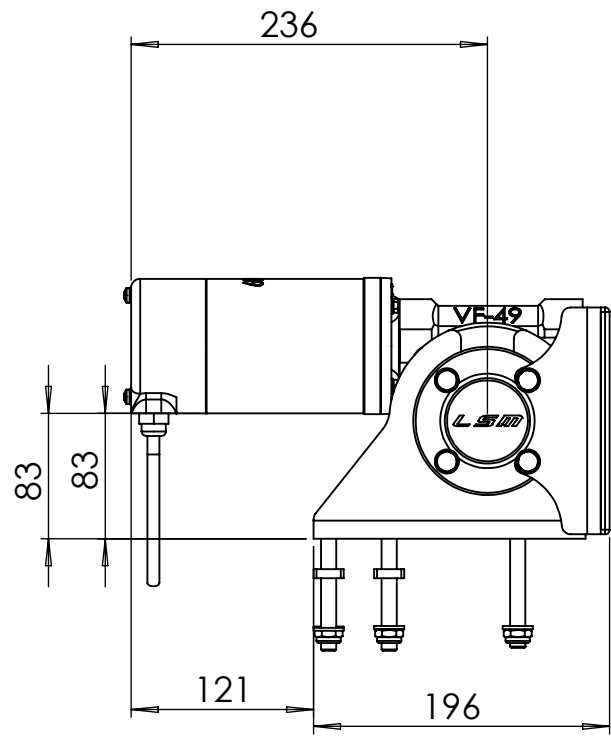
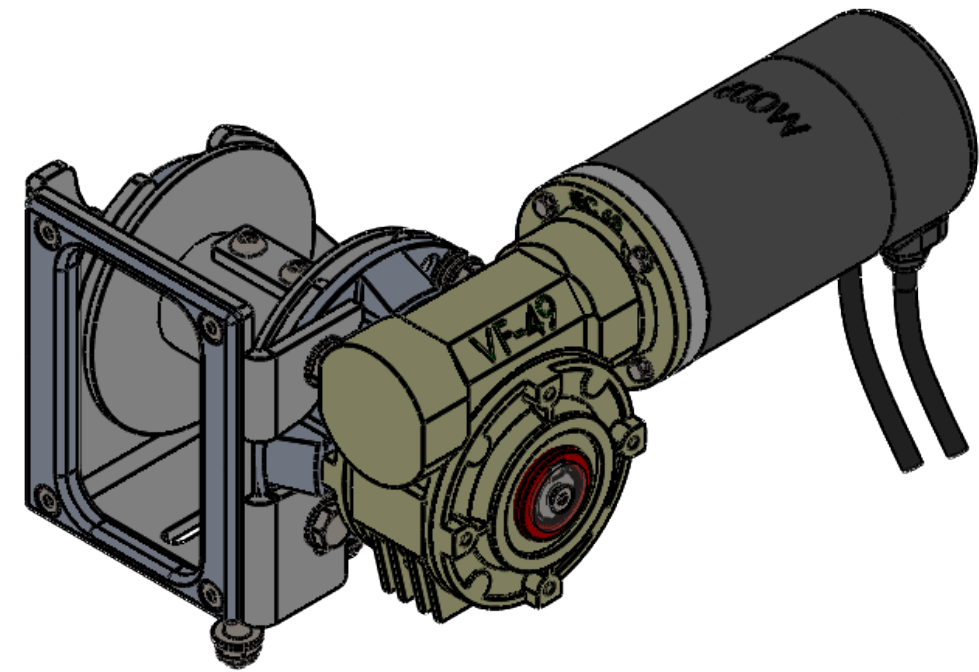


CONFIGURATION: 600W



VERTICAL MOUNT



HORIZONTAL MOUNT

E				
D				
C				
B				
A				
REV.	COMMENT	DR'N	DATE	

THIS DRAWING REMAINS THE PROPERTY OF:
GMB DESIGN
THE CONTENTS OF THIS DRAWING IS STRICTLY CONFIDENTIAL AND MAY NOT BE REPRODUCED, IN WHOLE OR PART, WITHOUT WRITTEN APPROVAL OF THE OWNER.
LONE STAR MARINE PTY LTD
Warehouse 3, 16 Malibu Circuit
Carrum Downs 2202, Australia
Ph: 61 3 8774 4582

TITLE
TENDER WINCH
TOLERANCE UNLESS OTHERWISE STATED:
ZERO DECIMAL PLACES ±0.50
ONE DECIMAL PLACE ±0.5
TWO DECIMAL PLACES ±0.05
ANGULAR: ±0.5 DEGREES
ALL DIMENSIONS IN mm U.O.S.



SHEET SIZE A3	CAD FILE NAME Tender Winch ASSY	SCALE 1:5
DATE 02-Feb-22	DRAWING No. TW-125-ASSY_00	REVISION A
CHK'D JM	THIRD ANGLE PROJECTION	SHEET No. 1 OF 7
WEIGHT: gms	COPYRIGHT	