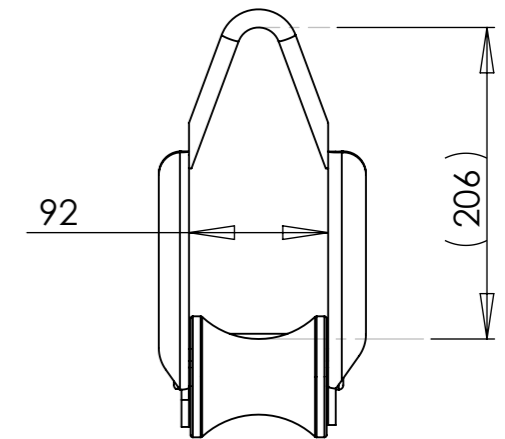
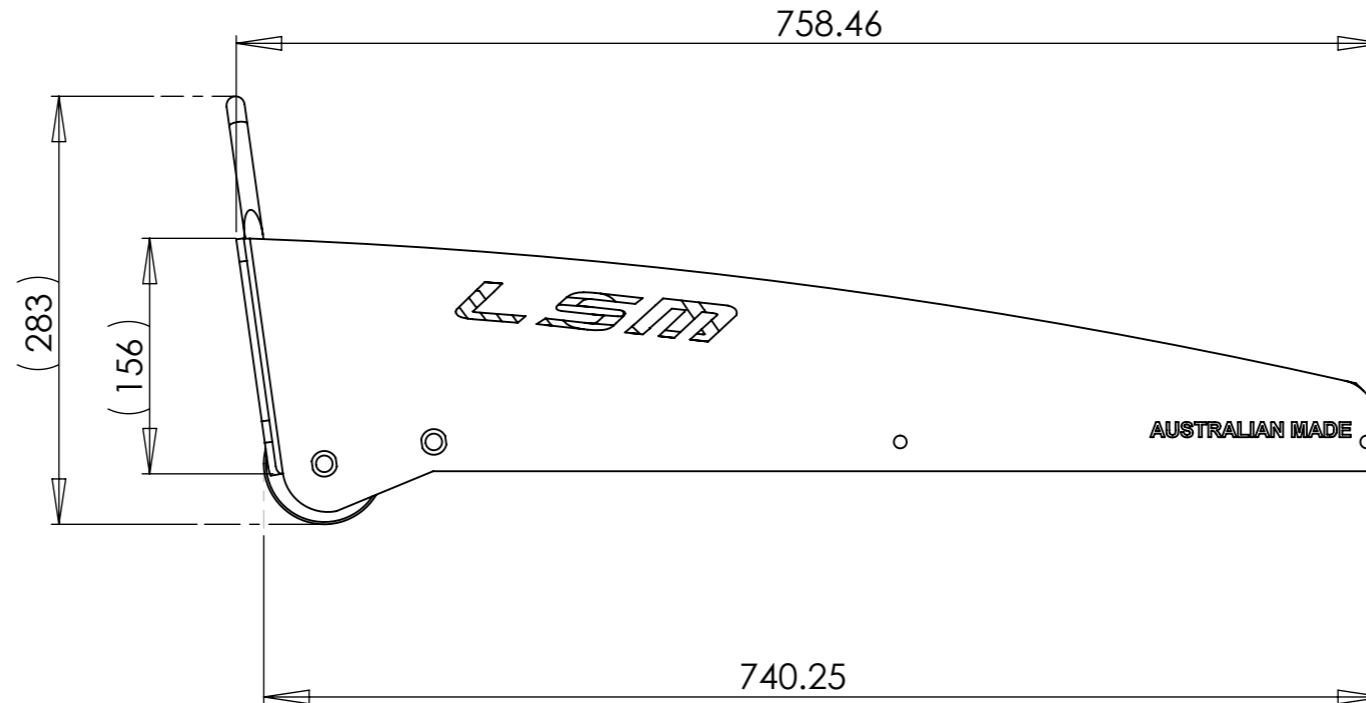
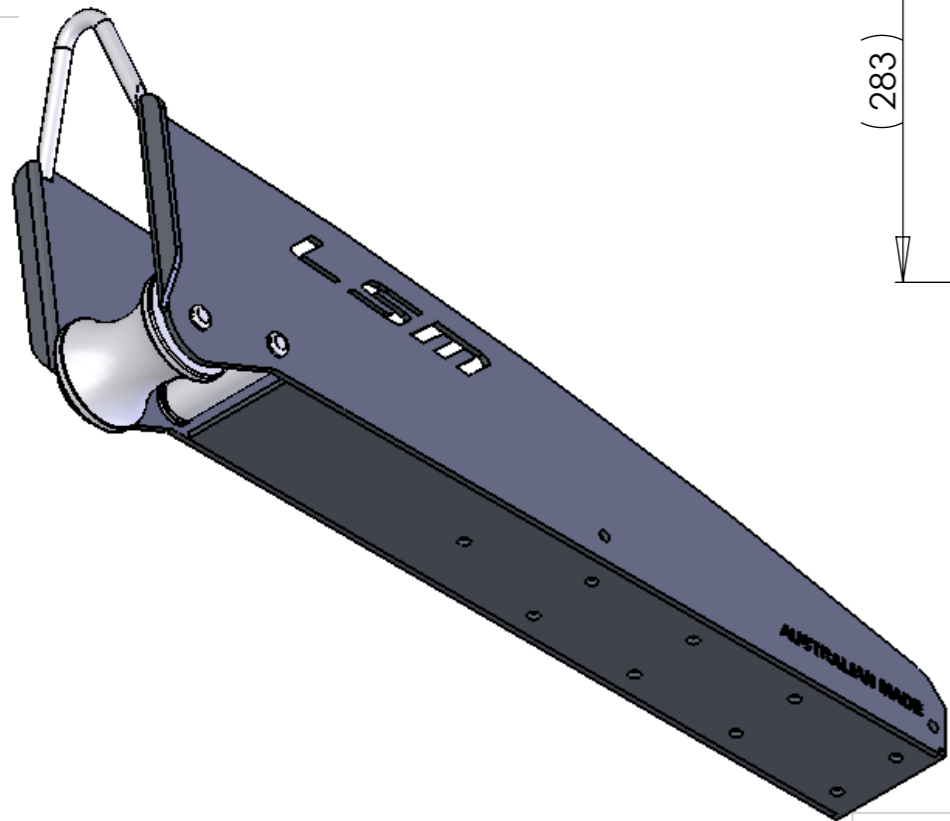
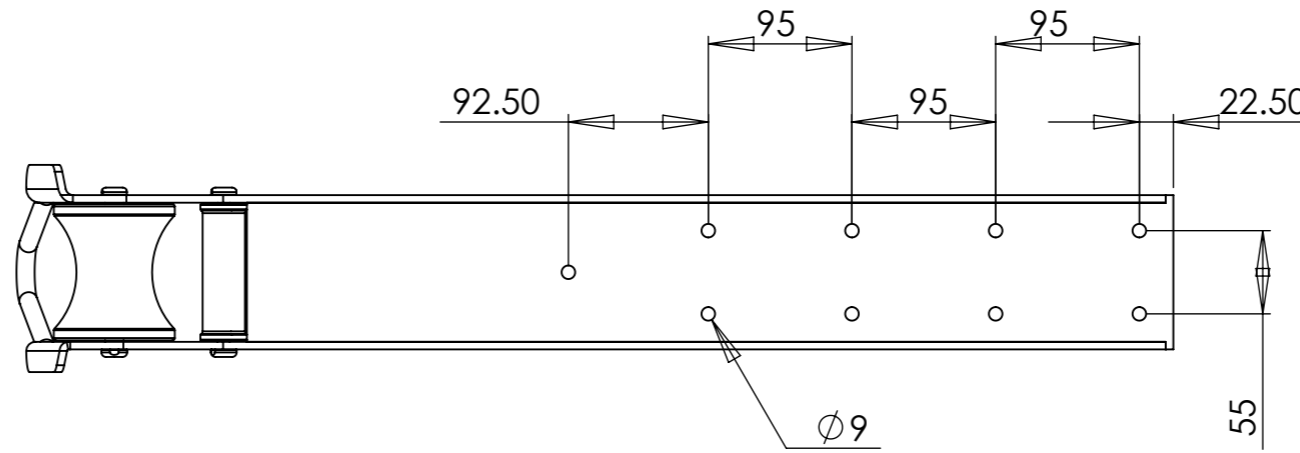
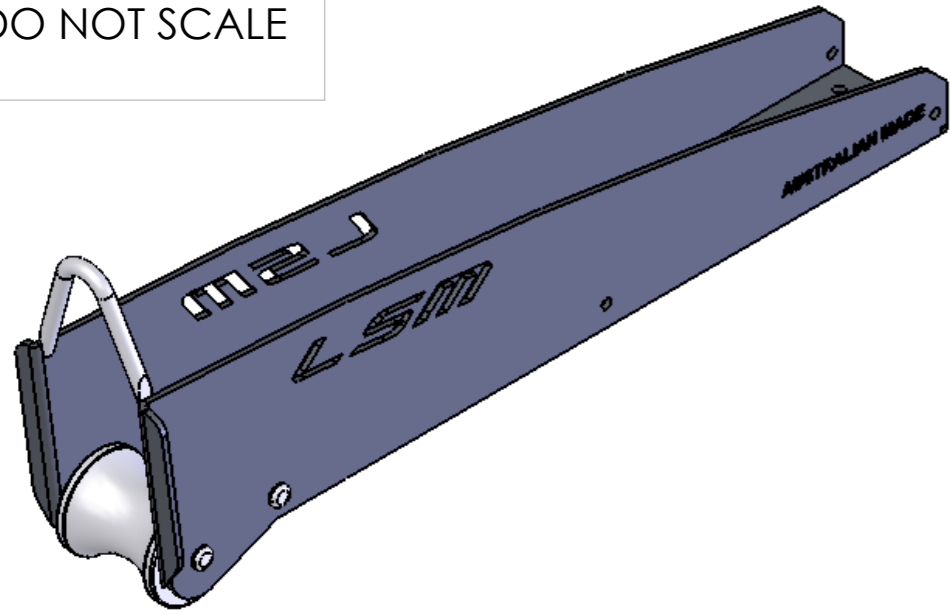


DO NOT SCALE



This document and its contents are the property of Lone Star Marine, they are protected by design registration and copyright, any form of disclosure to any third party is strictly prohibited unless written permission is given from Lone Star Marine.

UNLESS OTHERWISE SPECIFIED: DIMENSIONS ARE IN MILLIMETERS SURFACE FINISH: TOLERANCES: LINEAR: ANGULAR:			FINISH:		DEBUR AND BREAK SHARP EDGES		DO NOT SCALE DRAWING		REVISION		
DRAWN			NAME		SIGNATURE		DATE		TITLE:		
CHK'D			CHRIS				17/11/2016		<h1>CX-750 BOW SPRIT</h1>		
APPV'D											
MFG											
Q.A											
							MATERIAL:		DWG NO.		
							316 STAINLESS STEEL		750-G2-FAB REV 2		
							WEIGHT:		SCALE:1:10		
									SHEET 1 OF 1		

A3